

PLASMA POWER SUPPLY ELECTRICAL REQUIREMENTS - MAXPRO200 SELECT ONE OF THE FOLLOWING:				
VOLTAGE	PH.	FLA	INITIALS	DATE
200/208 VAC	3	108/104 AMPS		
220 VAC	3	98 AMPS		
240 VAC	3	90 AMPS		
480 VAC	3	45 AMPS		

PLASMA POWER SUPPLY GAS REQUIREMENTS - M PRO	
AIR	90 PSI, 400 SCFH
OXYGEN	90 PSI, 120 SCFH
NITROGEN	90 PSI, 400 SCFH
REFER TO MANUAL FOR QUALITY AND FURTHER INFO ON REQUIREMENTS	

PLASMA POWER SUPPLY REQUIREMENTS POWERMAX		
MODEL	ELECTRICAL	AIR
POWERMAX 45XP	200-240 V, 1-PH, 39/32 A or 480 V, 3-PH, 9.4 A	400 SCFH @ 90 PSI MIN.
POWERMAX 65	200/208/240/480 V, 1 PH, 50/60 Hz 52/50/44/22 A 200/208/240/480/600 V, 3 PH, 50/60 Hz 32/31/27/13/13 A	400 SCFH @ 90 PSI MIN.
POWERMAX 85	200/208/240/480 V, 1 PH, 50/60 Hz 70/68/58/29 A 200/208/240/480/600 V, 3 PH, 50/60 Hz 42/40/35/18/17 A	400 SCFH @ 90 PSI MIN.
POWERMAX 105	200/208/240/380/400/480/600 V, 3-PH, 58/56/49/28/25/22 A	460 SCFH @ 85 PSI MIN.
POWERMAX 125	480/600 V, 3-PH, 50/60 Hz, 31/24 A	550 SCFH @ 85 PSI MIN.

PLEASE REFER TO THE MANUALS REGARDING ADDITIONAL INFO ON REQUIREMENTS.

COMPONENTS SHOWN HERE MIGHT DIFFER FROM THE CONFIGURATION AGREED UPON, REFER TO THE FORMAL QUOTATION FOR A LIST OF INCLUDED COMPONENTS.

ELECTRICAL CONNECTION
(UNDER PARKING STATION)
120VAC 1PH
15 FLA, 60 HZ

Allow 1 m (3 ft) of space on all sides of the power supply for ventilation and service.

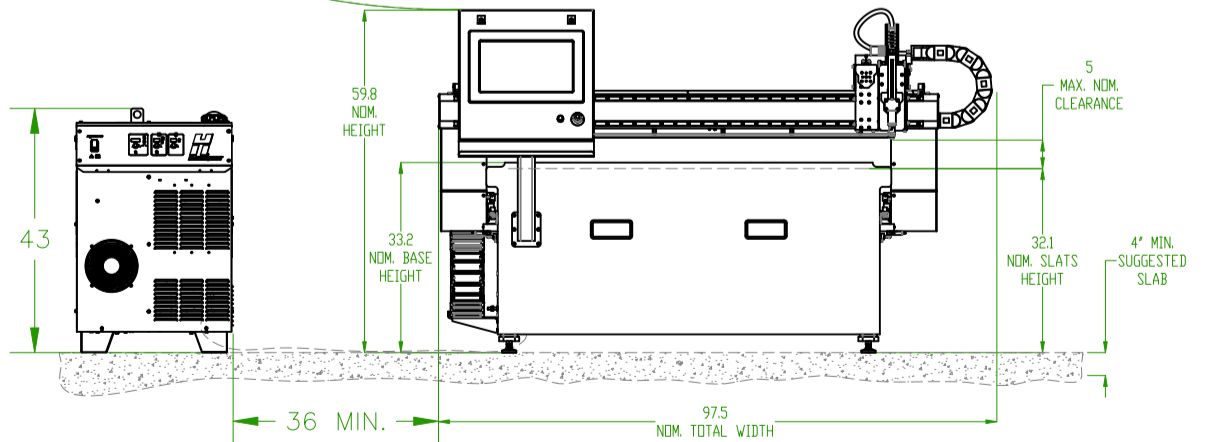
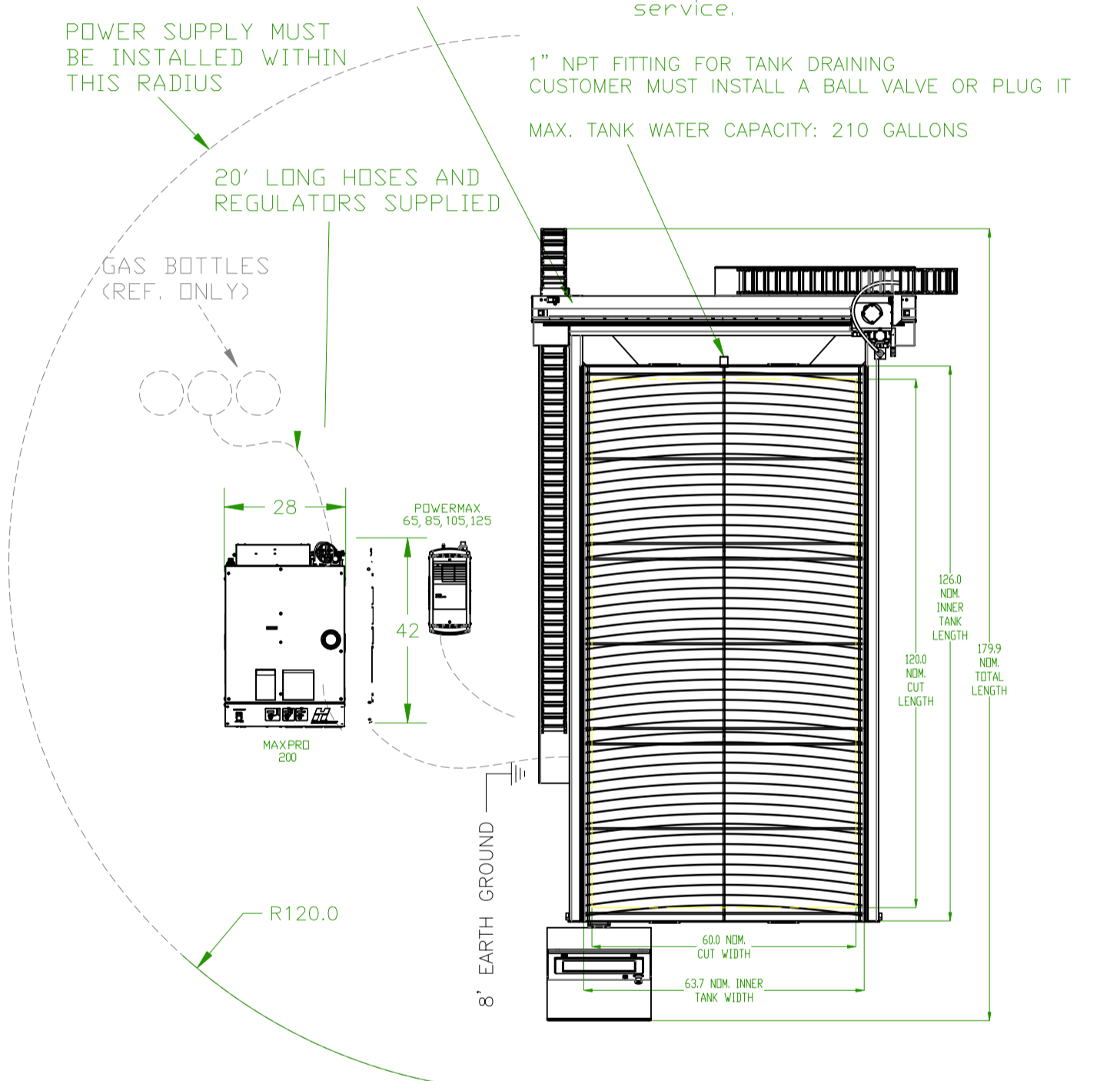
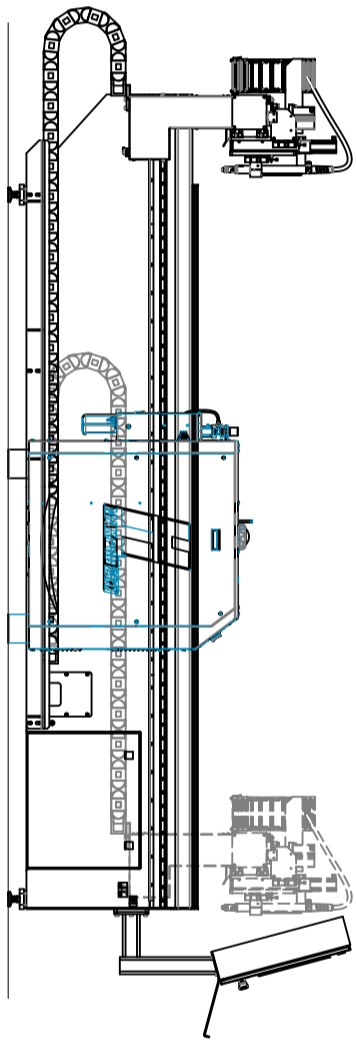
POWER SUPPLY MUST BE INSTALLED WITHIN THIS RADIUS

1" NPT FITTING FOR TANK DRAINING
CUSTOMER MUST INSTALL A BALL VALVE OR PLUG IT

MAX. TANK WATER CAPACITY: 210 GALLONS

20' LONG HOSES AND REGULATORS SUPPLIED

GAS BOTTLES (REF. ONLY)



REVISIONS	DO NOT SCALE DRAWING	CUTTING MACHINE PLASMATIC SYSTEMS GENERAL ARRANGEMENT	
	PROPRIETARY NOTICE THE INFORMATION CONTAINED IN THIS DRAWING IS CONSIDERED PROPRIETARY TO ADVANCED KIFFER SYSTEMS, INC. THE INFORMATION CONTAINED MAY NOT BE PUBLISHED, REPRODUCED, COPIED, USED, OR DISCLOSED WITHOUT THE EXPRESS WRITTEN PERMISSION OF A DULY AUTHORIZED REPRESENTATIVE OF ADVANCED KIFFER SYSTEMS, INC.	aks Advanced Kiffer Systems, Inc. CLEVELAND OHIO	
	REMOVE ALL BURRS AND SHARP EDGES	DRAWN BHH DATE 03/03/22	SCALE NONE
	TOLERANCES UNLESS OTHERWISE SPECIFIED	CHECKED DATE	PROJECTION
	.X DIM'S ± .XXX DIM'S ±.005 ANGULAR ±30'	APPROVED DATE	
	.XX DIM'S ±.010 .XXXX DIM'S ±.0005		SHEET 01 OF 01 DRAWING NUMBER POWERMAX SK0510-MAXPRO200 CUSTOMER STANDARD LAY-OUT REV