

PLASMA POWER SUPPLY ELECTRICAL REQUIREMENTS - MAXPRO200
SELECT ONE OF THE FOLLOWING:

	VOLTAGE	PH.	FLA	INITIALS	DATE
<input type="checkbox"/>	200/208 VAC	3	108/104 AMPS		
<input type="checkbox"/>	220 VAC	3	98 AMPS		
<input type="checkbox"/>	240 VAC	3	90 AMPS		
<input type="checkbox"/>	480 VAC	3	45 AMPS		

PLEASE REFER TO THE MANUALS REGARDING ADDITIONAL INFO ON REQUIREMENTS.

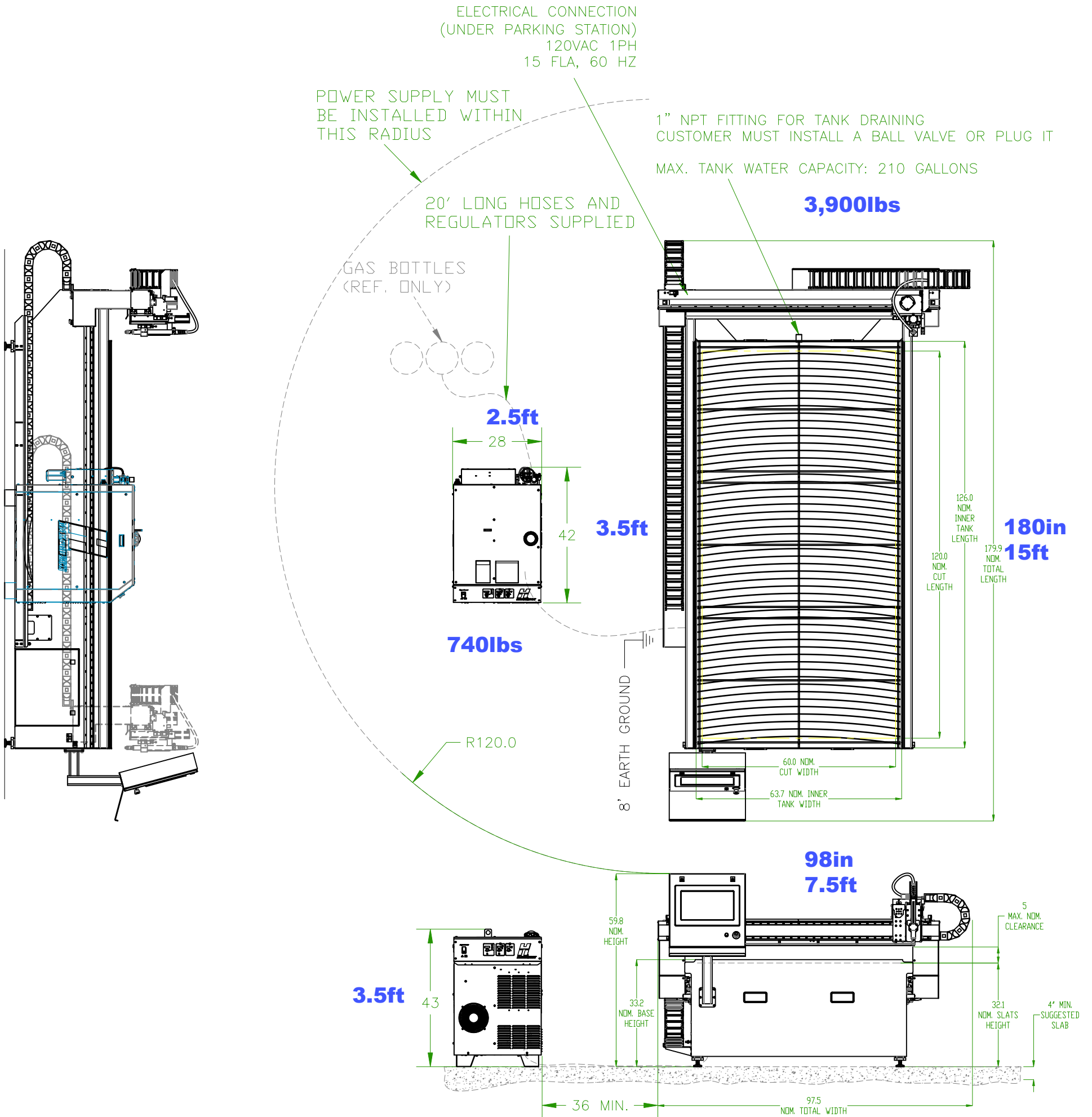
COMPONENTS SHOWN HERE MIGHT DIFFER FROM THE CONFIGURATION AGREED UPON, REFER TO THE FORMAL QUOTATION FOR A LIST OF INCLUDED COMPONENTS.

PLASMA POWER SUPPLY GAS REQUIREMENTS - MAXPRO

AIR	90 PSI, 400 SCFH
OXYGEN	90 PSI, 120 SCFH
NITROGEN	90 PSI, 400 SCFH

REFER TO MANUAL FOR QUALITY AND FURTHER INFO ON REQUIREMENTS

Allow 1 m (3 ft) of space on all sides of the power supply for ventilation and service.



REVISIONS

DO NOT SCALE DRAWING

PROPRIETARY NOTICE

THE INFORMATION CONTAINED IN THIS DRAWING IS CONSIDERED PROPRIETARY TO ADVANCED KIFFER SYSTEMS, INC. THE INFORMATION CONTAINED MAY NOT BE PUBLISHED, REPRODUCED, COPIED, USED, OR DISCLOSED WITHOUT THE EXPRESS WRITTEN PERMISSION OF A DULY AUTHORIZED REPRESENTATIVE OF ADVANCED KIFFER SYSTEMS, INC.

REMOVE ALL BURRS AND SHARP EDGES

TOLERANCES UNLESS OTHERWISE SPECIFIED
.X DIM'S ± .XXX DIM'S ±.005 ANGULAR ±30'
.XX DIM'S ±.010 .XXXX DIM'S ±.0005

aks

Advanced Kiffer Systems, Inc.

CLEVELAND

OHIO

DRAWN BHH DATE 03/03/22

SCALE NONE

CHECKED DATE

PROJECTION

APPROVED DATE

PROJECTION

CUTTING MACHINE
PLASMATIC SYSTEMS
GENERAL ARRANGEMENT

CUSTOMER

STANDARD LAY-OUT

SHEET 01 OF 01

DRAWING NUMBER

SK0510-MAXPRO200

REV